

MAKERS BED RANGE 2025

Making a change.

How the Makers Bed Range
is setting a new standard for
comfort & convenience in beds.



We started from the ground up.

We spoke to hoteliers all over the country to see what was needed in a bed.
This is what you wanted.

1.

A LONGER WARRANTY FOR ONGOING PEACE OF MIND.

2.

A GREATER LEVEL OF COMFORT FOR THE SAME OR SIMILAR PRICE.

3.

REDUCED DELIVERY TIME, (4-6 WEEKS IS WAY TOO LONG).

Together with our wide experience in hotel beds, understanding the expectations of discerning guests, and daily challenges of housekeepers, we worked with bed experts to innovate our *Makers* range of fit-for purpose beds.



Introducing The Makers Bed Range.

1.

A LONGER WARRANTY

It's not rocket science that beds in this sector get a hard time. From constant use to budding 'trampoline artists', no one envies the life of a hotel bed!

For this reason, we're pleased to be able to offer 10 year warranty on Makers Midnight Mattresses, giving you greater peace of mind.

2.

A GREATER LEVEL OF COMFORT

While some brands reserve the coveted pocket spring feature for their premium ranges, the Midnight Range stands apart. Both the Midnight Comfort-Top and Midnight Euro-Top mattresses boast a Pocket Spring system, designed to minimize partner disturbance and deliver reliable, consistent support every night.

Your guests will enjoy the added benefits of full-body support and pressure relief, ensuring a restful sleep that's gentle on their joints!

3.

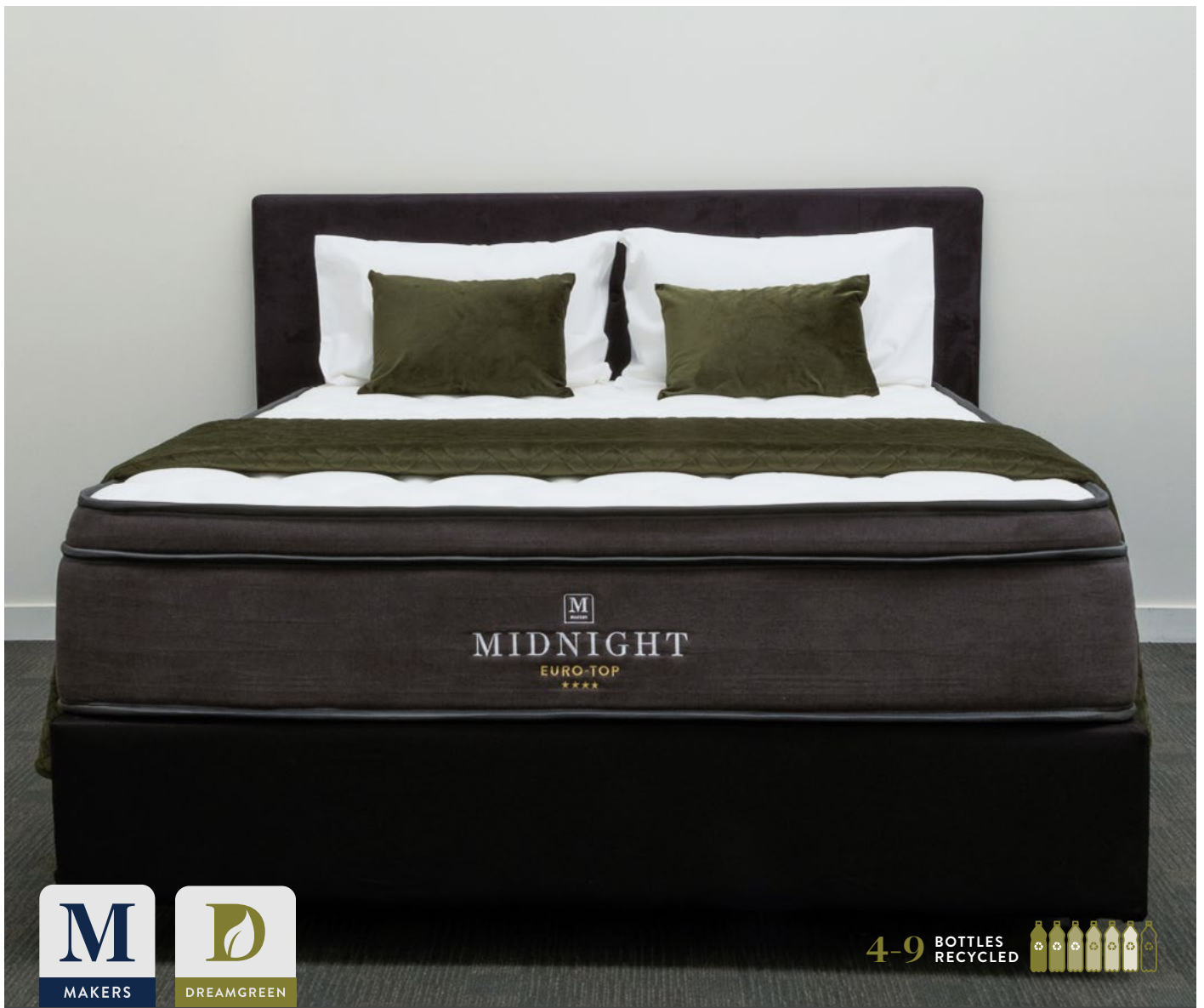
QUICK DELIVERY, EASY TRANSPORTATION.

When you need a bed, you need it now - right? But traditionally the wait time can be anywhere from 2-8 weeks, which is understandably annoying.

We wanted to change that so the Makers Midnight Range is compressed and rolled which means we carry them in stock, ready for same day dispatch. Also, being compressed and rolled makes them easy to move! Navigating hallways, lifts and stairs are no longer an issue, transportation is a breeze.

Our Makers Commercial Bed Base is supplied flat packed, with no tools required for easy installation.

You can have a luxury hotel bed in your room within 2-7 days.



Makers Midnight Euro-Top

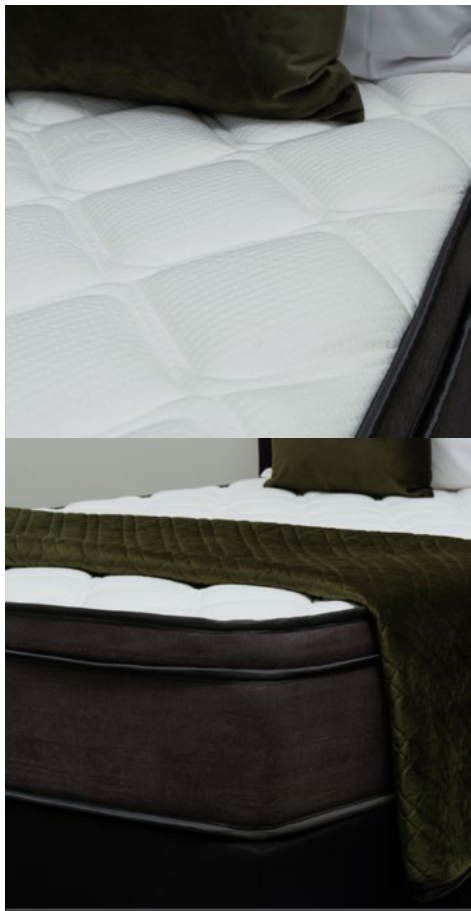
Are you searching for a mattress that your guests will rave about?

The Makers Midnight Euro-Top Mattress is the perfect choice for accommodation providers wanting to take the guest experience to the next level boasting a luxurious 30cm profile.

Give your guests the luxury of the superior pocket coil spring system, that elevates their sleeping experience with full-body support and exceptional comfort. Each spring operates independently within its fabric pocket, adeptly responding to different body pressure points. This thoughtful design not only ensures a peaceful night's sleep for your guests but also minimises partner disturbance and eliminates the discomfort of roll-together.

The Makers Midnight Euro-Top Mattress is crafted with high-density foam encasing the inner springs. This increases the usable sleep surface and provides extra support to guests when they are getting in and out of bed. This is then topped with two separate layers of foam... a plush comfort foam followed by a more dense gel-cooling memory foam. This mattress is perfect for any season, regulating to the hottest and coldest of days with ease.

The Makers Midnight Euro-Top is available in all sizes from Single to King Split, offering a tailored solution for every sleep preference.



M
MIDNIGHT
EURO-TOP
★★★★

Discover the anatomy of our premium, indulgent 300mm
Makers Euro-Top Mattress



Comfort Foam



Anti Allergy Quilting



Memory Foam





High Density Support Foam



Pocket Spring System

- Firm spring support, medium firm comfort
- Mattress thickness: 30cm
- Durable heat-tempered pocket springs
- Medium-firm & soft Eurotop foam layering
- Quilting is filled with Premium DreamGreen® fibre - made from recycled plastic bottles
- Wide foam edge guard side support
- Sanitised anti-allergy stretch-knit outer

- 10 year manufacturer guarantee on the spring system (excluding soft materials which are subject to general wear and tear)
- Delivered vacuum compressed and rolled for faster delivery times, ease of storage and transportation. Fit 5-10 beds in a hotel lift instead of one at a time!



10 YEAR WARRANTY



\$2 from every mattress purchased goes to Australian Bedding Stewardship Council!
We'll rid our landfills of mattresses, one at a time!



Soft Landings is a ABSC approved mattress recycler.
We can facilitate conversations to arrange the removal and recycling of your old mattresses.

CODE	DESCRIPTION	W	L	H	BOTTLES RECYCLED
BDM7200	Single	91	188	23	4
BDM7202	King Single	107	203	23	5
BDM7204DXL	Long Double	137	203	23	7
BDM7206	Queen	153	203	23	8
BDM7207	King	183	203	23	9
BDM7209	King Split	2 x 91.5	203	23	9



Makers Midnight Comfort-Top

Are you searching for a versatile mattress that suits most accommodation styles?

The Makers Midnight Comfort-Top is the perfect choice for accommodation providers looking for the perfect mattress that is comfortable and has a long life span.

The superior pocket coil spring system, elevates your guests sleeping experience with full-body support and unparalleled comfort. Each spring operates independently within its fabric pocket, adeptly responding to different body pressure points. This thoughtful design not only ensures a peaceful night's sleep for your guests but also minimises partner disturbance and eliminates the discomfort of potential roll-together.

The Makers Midnight Comfort-Top Mattress is crafted with high-density foam encasing the inner springs. This increases the usable sleep surface and provides extra support to guests when they are getting in and out of bed. This is then topped with a plush 3cm foam to provide your guests with even more comfort.

The Makers Midnight Comfort-Top is available in all sizes from Single to King Split, offering a tailored solution for every sleep preference.

M
MIDNIGHT
COMFORT-TOP

Discover the anatomy of our top-quality, inner sprung 250mm
Makers Comfort-Top Mattress

Anti Allergy Quilting.

Comfort Foam.

High Density Support Foam.

Pocket Spring System.

- Firm innerspring support, soft comfort
- Mattress thickness: 23cm
- Durable heat-tempered pocket springs
- Soft quilted pillowtop foam
- Quilting is filled with Premium DreamGreen® fibre - made from recycled plastic bottles
- Wide foam edge guard side support
- Sanitised anti-allergy stretch-knit outer
- 10 year manufacturer guarantee on the spring system (excluding soft materials which are subject to general wear and tear)
- Delivered vacuum compressed and rolled for faster delivery times, ease of storage and transportation. Fit 5-10 beds in a hotel lift instead of one at a time!



10 YEAR WARRANTY



\$2 from every mattress purchased goes to Australian Bedding Stewardship Council!

We'll rid our landfills of mattresses, one at a time!



Soft Landings is a ABSC approved mattress recycler.

We can facilitate conversations to arrange the removal and recycling of your old mattresses.

CODE	DESCRIPTION	W	L	H	BOTTLES RECYCLED
BDM7170	Single	91	188	23	4
BDM7172	King Single	107	203	23	5
BDM7174DXL	Long Double	137	203	23	7
BDM7176	Queen	153	203	23	8
BDM7177	King	183	203	23	9
BDM7179	King Split	2 x 91.5	203	23	9



Makers Napa Plus

Choose Makers Napa Plus if your accommodation targets the budget market. The 2.4mm bonnell continuous coil spring system provides sturdy support while a layer of soft, plush, foams provides comfort for average weight sleepers. Napa Plus is the perfect choice for students, backpackers, seasonal worker accommodation and anyone looking for a comfortable sleep on a budget.

- Mattress thickness: 23cm
- Supportive continuous bonnell spring system
- Tight top with 2cm deep cushioning foam
- Quilting is filled with Premium DreamGreen® fibre - made from recycled plastic bottles
- Sanitised anti-allergy stretch-knit outer
- **Mattress in a Box:** Vacuum compressed and rolled for faster delivery times, ease of storage and transportation.
- 2 year manufacturer guarantee on the spring system (excluding soft materials which are subject to general wear and tear)
- Hospitality Rating: 3 Star



2 YEAR WARRANTY

CODE	DESCRIPTION	W	L	H	BOTTLES RECYCLED
BDM7130	Napa Plus - Single	91	188	23	4
BDM7132	Napa Plus - King Single	91	203	23	5
BDM7136	Napa Plus - Queen	153	203	23	8



Makers 150mm Foam Mattress w. Waterproof & Fire Retardant Cover

More than just a mattress, this is a game-changer for camp beds, youth dorms, and backpacker accommodations.

Designed for practicality, its waterproof rubber-encased foam protects against spills and accidents, while the compact, vacuum-packed design ensures easy transport. With a plush 150mm thickness and 28-density foam, it delivers reliable comfort whether placed in a bunk, on a base, or directly on the floor. Safety is a top priority, featuring a fire-retardant 380gsm PVC-coated outer layer. The noiseless fabric promotes restful sleep, and the zip-on/zip-off cover makes cleaning effortless—simply wipe down or hose off.

- Waterproof Cover: Easy practical waterproof rubber-encased foam mattress that can be simply wiped down
- Vacuum packed for easy transportation & storage
- 150mm thickness for extra comfort, 28 density foam
- Safety First: Fire retardant 380gsm PVC coated outer, REACH* Compliant.
- Smooth & Silent: Smooth feel, noiseless fabric outer
- Zip On, Hose Off: Zip on/zip off, wipe-able/washable surface

CODE	DESCRIPTION	W	L	H
BDM6020	Makers Foam Mattress - Blue	91	190	15
BDM6020G	Makers Foam Mattress - Kombu Green	91	190	15



M

MAKERS

Makers Commercial Bed Base

Introducing the Makers Commercial Bed Base - the foundation to a good nights sleep. Our innovative bed base is superior in quality to traditional upholstered bed bases, yet conveniently flat packed for fast shipping, compact storage and designed to make installation a whole lot easier. Say no to struggling with a bulky bed frame up the stairs, into lifts, down narrow hallways and through skinny doorways!

Once quickly assembled, it appears in the room as any smartly upholstered bed base with its tidy, padded, black microsuede sides (no valance required) to create a uniform finish. Supplied with rigid glides for the foot and head of the bed, for stability and support.

- Strong upholstered hotel bed base in unique flat-pack form
- Super-fast lug and slot assembly enabling efficient and effortless assembly of the bed frame
- Suitable for all Vendella and hotel industry size mattresses
- Side height: 26cm + default leg height: 10cm (5cm and 15cm leg options available)
- Replacement parts are available for most components
- Hygiene - The base can be easily dismantled and individual parts treated for bed bugs if an outbreak occurs. In comparison, enclosed bases can be a haven for bugs and harder to treat!

CODE	DESCRIPTION	W	L	H
BDB7190	Makers Commercial Bed Base - Single	91	188	36
BDB7192	Makers Commercial Bed Base - King Single	107	203	36
BDB7194DXL	Makers Commercial Bed Base - Long Double	137	203	36
BDB7196	Makers Commercial Bed Base - Queen	153	203	36
BDB7199	Makers Commercial Bed Base - King Split	2 x 91.5	203	36

See page 6 for more information on King Split Bed Base



5 YEAR WARRANTY



Super-fast lug and slot assembly. Extremely strong, corner brackets enable efficient and effortless assembly.



Stronger slats within frame to make a sturdy mattress foundation. Most parts are replaceable, reducing the need to replace the whole base!



For wider Queen & King bases, a strong metal support bar fits end to end beneath the slats, taking the weight load over mattress.



Lug and slot assembly for middle support bar, guarantees stronger base and faster assembly.



10cm glides are supplied for stability and support. Two other sizes available.



Top cover with non slip platform fabric, to avoid mattress slipping. This is replaceable and available in Black, Steel & Flint colours.

REPLACEMENT PARTS AVAILABLE:

Makers Bed Base Castors

Makers Bed Base Glides

Makers Bed Base Cover - Steel

Makers Bed Base Cover - Flint Grey

Makers Bed Base Cover - Black

Makers Bed Base Slat - Single

*Make your budget go further!
Every piece is replaceable, avoiding the need to replace a whole base for one damaged piece!*



Makers Midnight Split Bed Base

Stand alone beds or supersized luxury for your guests? Why not have the best of both worlds!

Our new innovative Makers Midnight Bed Base can be purchased in the King Split size. This offers flexibility and different configurations, whether it be stand alone beds or super sized luxury. With unique joining brackets to hold bases together, these bases are designed for the split and zip Midnight Euro-Top & Comfort Top mattresses.

- Strong upholstered hotel bed base in unique flat-pack form
- Super-fast lug and slot assembly. Extremely strong quick-click corner brackets enable efficient and effortless assembly of the bed frame
- Side height: 26cm + default leg height: 10cm (5cm and 15cm leg options available)
- Supplied flat pack for quick shipping and easy handling



5 YEAR WARRANTY

CODE	DESCRIPTION	W	L	H
BDB7199	Makers Commercial Bed Base - King Split	2 x 91.5	203	36

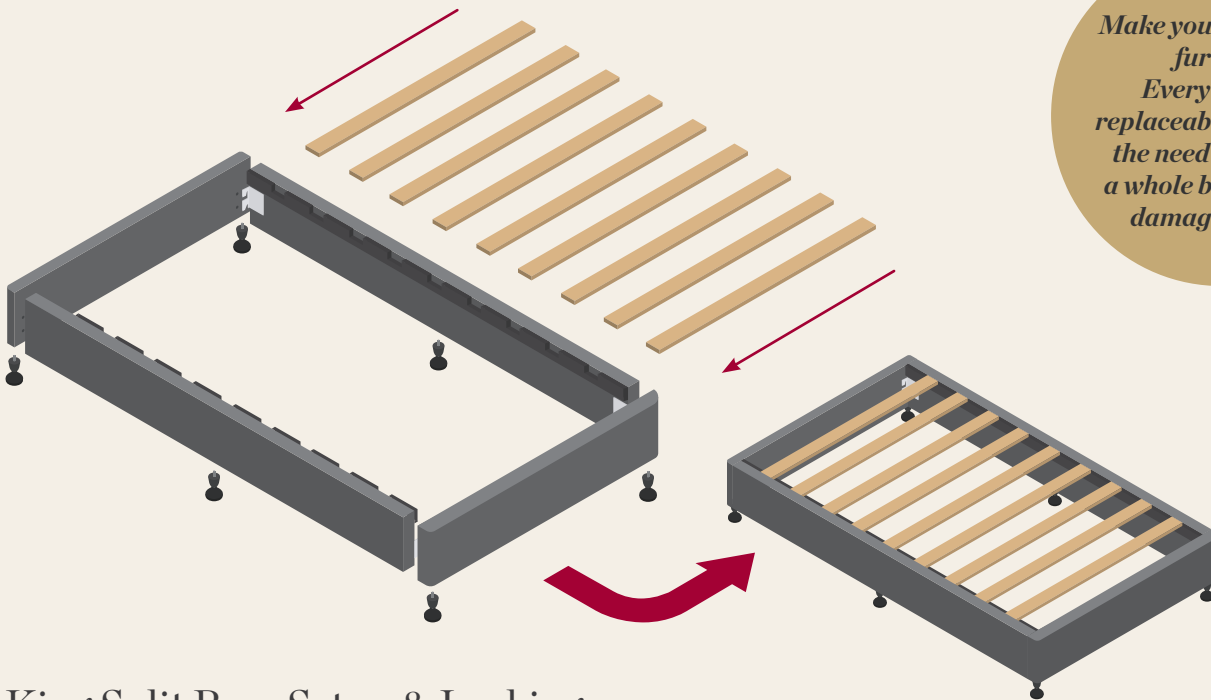
*Mattresses not included.



Joining bracket fits onto the legs to hold split bases together.

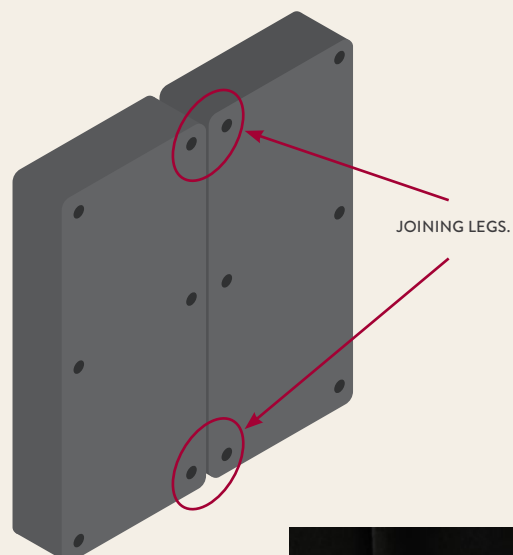
Makers Bed Base Assembly Instructions.

*Make your budget go further!
Every piece is replaceable, avoiding the need to replace a whole base for one damaged piece!*



King Split Base Setup & Locking.

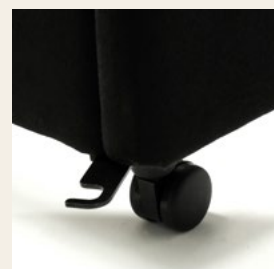
1. Stand both bases upright together against the wall, headboard ends on the floor.
2. Screw in all legs or castors excluding those in the joining leg position.
3. Insert joining brackets provided.
4. Lay the bases on the floor and place in position.
5. Insert slats.



Split Twin Mattress Setup.

1. Place both mattresses on the bases with the top-side facing upwards.
2. Zip the top sides together and position the mattress correctly on the bases.
3. Now the bed set is ready to be made up!

Joining bracket that secures split bases together when setup as a King bed.





Makers Steel Bed Frame

Upgrade your accommodation with the Makers Steel Bed Frame – the perfect, hassle-free solution for student housing, worker lodgings, or budget stays. Designed for strength and durability, this steel frame offers a low-maintenance and hygienic alternative to traditional wooden frames, delivering long-lasting performance you can rely on.

Featuring a simple three-piece design—head, foot, and mattress frame—the Makers Steel Bed Frame allows for quick and easy assembly, ready for use in under 4 minutes! Its lightweight yet sturdy build ensures effortless setup and long-term durability. Plus, make the most of your space with its smart design, compatible with underbed storage options.

Experience the ideal balance of strength, simplicity, and practicality with the Makers Steel Bed Frame—your dependable sleep solution.

- Colour: Gull Grey, powder coated for durability and longevity
- Mesh base slots into head & foot with tapered fit bracket, self tightening when occupied
- Recessed locking bolts tighten end frame to the base and can be tightened over time to eliminate shaking
- Strong 50 x 25mm x 2mm gauge high tensile base side rails
- Fully welded 3.5mm gauge mesh base for mattress support
- Nylon caps fit to the bottom of each bed leg, eliminating scratching on hard flooring
- Supplied flat pack, with assembly taking less than 4 minutes with no tools required!
- Commercially weight tested to 150kg capacity for King Single
- Replacement foot caps and locking bolt sets available
- 5 year warranty

CODE	DESCRIPTION	W	L	H
BD9060	Makers Steel Bed Frame - Single	91	199	40
BD9062	Makers Steel Bed Frame - King Single	107	214	40



5 YEAR WARRANTY



Makers Stacka Commercial Bunk

Built tough for high-use environments, the Makers Stacka Bunk Bed is our top-rated commercial bunk, designed to withstand the demands of holiday parks, worker accommodations, student housing, backpacker hostels, and youth camps.

Crafted with heavy-duty 1.2mm gauge steel, this bunk bed features a neutral grey powder-coated finish for long-lasting resilience. To ensure superior stability, the side rails include a securely welded and bolted rail spacer, while the mesh base slots into the head and foot frame with a tapered fit bracket, tightening under weight for added safety. The mattress platform is reinforced with a welded anti-sag central support rail and additional steel mesh overlay for extra durability.

Need a change? The Stacka bunk easily converts into two single beds, giving you the freedom to reconfigure your space as needed—perfect for evolving accommodation setups.

- Heavy-duty steel frame with durable Gull Grey powder-coated finish
- Single over Single bunk size
- Dimensions: 97.5cm (W) x 200cm (L) x 172.5cm (H)
- Exceeds AS/NZ 4220:2010 safety standards for NZ/AUS
- Weight rated to 300kg+ per sleeping tier for superior strength
- Recommended with our Makers Foam or Napa Plus mattresses
- 5-year commercial warranty for peace of mind
- Flat-pack design – assembly required

CODE	DESCRIPTION	W	L	H
BD9068A	Makers Stacka Bunk - Single	97.5	200	172.5



5 YEAR WARRANTY



Makers Sofa Bed - Single

Introducing the Makers Single Sofa Bed – where style meets versatility!

Maximise your space without compromising on style with the Makers Single Sofa Bed—a sleek, multifunctional solution designed for commercial and accommodation settings.

In sophisticated charcoal fabric, this versatile sofa bed transforms effortlessly from a stylish seating option into a comfortable, space-efficient bed, perfect for guest rooms, apartments, and hotels. The durable commercial-grade polyester upholstery in dark charcoal grey or PU, is built to withstand daily use, ensuring longevity in high-traffic environments.

Featuring a smooth Linkrest sleeping mechanism, it easily unfolds with a one-arm lift and pull motion. The seat cushions remain attached to the bed frame, tucking neatly away for a clutter-free, streamlined look.

Upgrade your accommodation with the Makers Single Sofa Bed—the perfect balance of durability, comfort, and space-saving innovation.

- Strong sturdy plywood frame
- Supportive high-density foam, seat & back cushions
- Mattress: 12cm thick foam
- Timber slats for a higher level of support compared to traditional spring system sofa beds
- The main frame of the bed is heavy-grade steel finished in industrial grey
- Practical charcoal grey upholstery fabric (exceeds M70 Martindale abrasion test) or modern Black PU
- Care: Spot clean with damp cloth and silicone spray water-repellent
- Keep away from direct sunlight to prevent fading
- FSC Certified
- 2 year warranty on frame, foam and mechanism (excluding upholstery wear & tear)

CODE	DESCRIPTION	W	L	H
FU3215	Makers Single Sofa Bed - Charcoal Fabric	146	94	72
FU3214	Makers Single Sofa Bed - PU	146	94	72
	Sofa Bed (extended)	146	210	66



2 YEAR WARRANTY



Makers Sofa Bed - Double

The Makers Sofa Bed blends timeless design with commercial-grade durability, making it the perfect choice for hotels, serviced apartments, and high-use accommodation spaces.

Designed in a spacious 2.5-seater size, this sofa bed features resilient foam and soft fibre cushions that maintain their shape for long-lasting comfort. Upholstered in a practical dark charcoal grey, the heavy-duty commercial-grade polyester fabric is built to withstand daily wear and tear.

For effortless functionality, the premium Linkrest sleeping mechanism unfolds smoothly with a simple one-arm lift and pull action. The integrated seat cushions tuck neatly underneath the frame, keeping them protected and ensuring a clean, streamlined look.

Upgrade your space with the Makers Sofa Bed – smart, sturdy, and designed for commercial accommodation.

- Strong sturdy plywood frame
- Supportive high-density foam, seat & back cushions
- Practical charcoal grey upholstery fabric (exceeds M70 Martindale abrasion test) or modern Black PU
- FSC Certified
- Mattress: 12cm thick foam
- Care: Spot clean with damp cloth and silicone spray water-repellent
- Keep away from direct sunlight to prevent fading
- Queen size bedding is recommended for this product
- 2 year warranty on frame, foam and mechanism (excluding upholstery wear & tear)

CODE	DESCRIPTION	W	L	H
FU3226	Makers Double Sofa Bed - Charcoal Fabric	196	94	94
FU3216	Makers Double Sofa Bed - PU	196	94	94
	Sofa Bed (extended)	196	212	50



2 YEAR WARRANTY



Makers Solo Rollaway Bed

Every Hotel, Motel or other accommodation needs a few extra rollaway beds in storage for those last-minute unexpected guests that arrive! Makers Solo can be rolled out of the cupboard in double quick time and set up in the room with fitted bedding, duvet and comfortable sleeping pillow!

Lightweight but sturdy, Solo will sleep an adult up to 130kg and its great for kids! Complete with comfortable 100mm thick supportive foam mattress and heavy duty nylon fabric dust cover.

- Colour: Black
- Weight capacity: 130kg
- Durable lightweight tubular frame
- Strong mesh trampoline base
- Supplied with 100mm thick, supportive mattress (replacements mattresses available)
- A handy dust cover is supplied to protect the Solo Rollaway whilst being stored
- 2 year commercial warranty

CODE	DESCRIPTION	W	L	H
BD6094	Makers Solo Folding Rollaway Bed - Single	91	190.5	41
BDM6094	Makers Replacement Mattress for Solo Bed	90	190	10
BD6095	Makers Solo Dust Cover	93.5	28.5	95.5



2 YEAR WARRANTY

End of Life & Recycling Solutions.

When beds are upgraded, and mattresses updated, the last thing we want is for them to end up in landfill. That's why we are partnering with like-minded companies to find End-of-Life solutions that truly close the circular economy loop.

Check out some of our amazing partners, and let's chat about creating the best sustainable solution for you, your property, and our planet!



The ABSC's Bedding Stewardship Scheme is a not-for-profit entity whose mission is to tackle the problem of end-of-life mattresses in Australia and keep them out of landfill and off our streets. Collaborating with governments at various levels, as well as engaging with the supply chain, manufacturers, retailers, and recyclers, the initiative aims to transition towards a circular economy for mattresses and bedding products.

Vendela gives \$2 from every Makers Midnight Mattress to ABSC to support their research and development, as well as utilising their network of approved mattress recyclers.

beddingstewardship.org.au



Vendela has partnered with Soft Landing, Australia's largest mattress recycler to reduce mattress waste. As an Australian Bedding Stewardship Council (ABSC) approved recycler, Soft Landings reclaims up to 75% of mattress material through eco-friendly, manual processes, while also creating jobs for those in need. Timber bases are recycled into mulch.

Talk to us and we can facilitate conversations with Soft Landings to remove and recycle your bases and mattresses.

softlanding.com.au



We are proud to partner with The Mattress Recycling Company to give old mattresses a meaningful second life. Collected mattresses undergo a comprehensive rejuvenation process, being cleaned, sanitised, deodorised, and restored for redistribution to remote Indigenous towns, transitional workers, and those facing displacement, including new immigrants, individuals experiencing homelessness, and victims of domestic violence.

For those beyond repair, mattresses are mechanically deconstructed, with foam, fabric, and steel carefully recycled into new products.

themattressrecyclingcompany.com.au



Let us take care of the rest.

1800 161 354 | CUSTOMERCARE@VENDELLA.COM.AU | WWW.VENDELLA.COM.AU